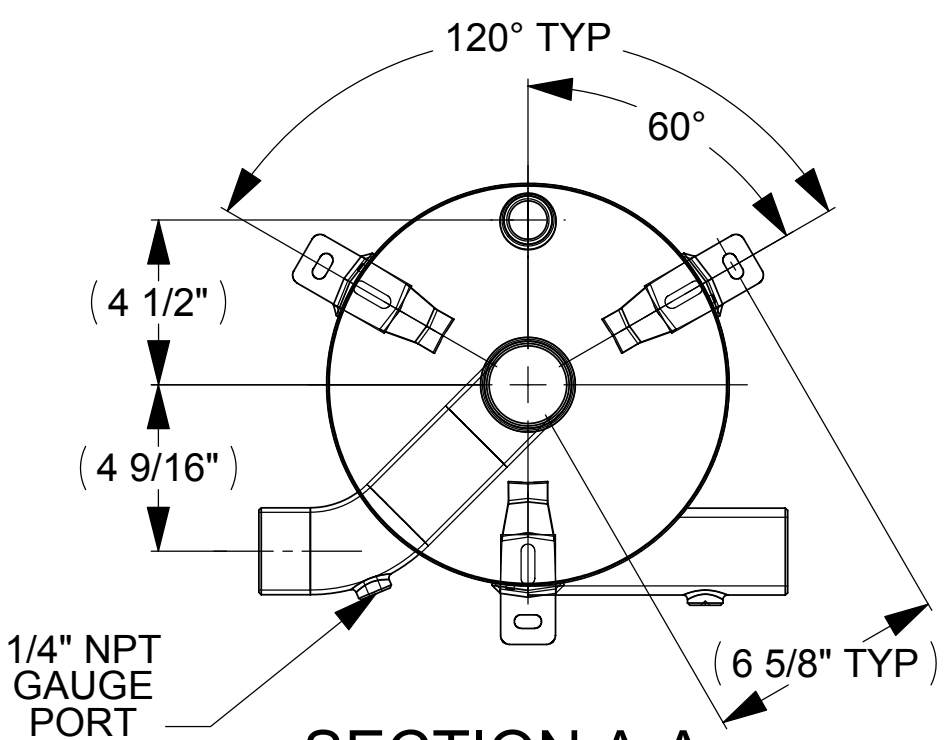
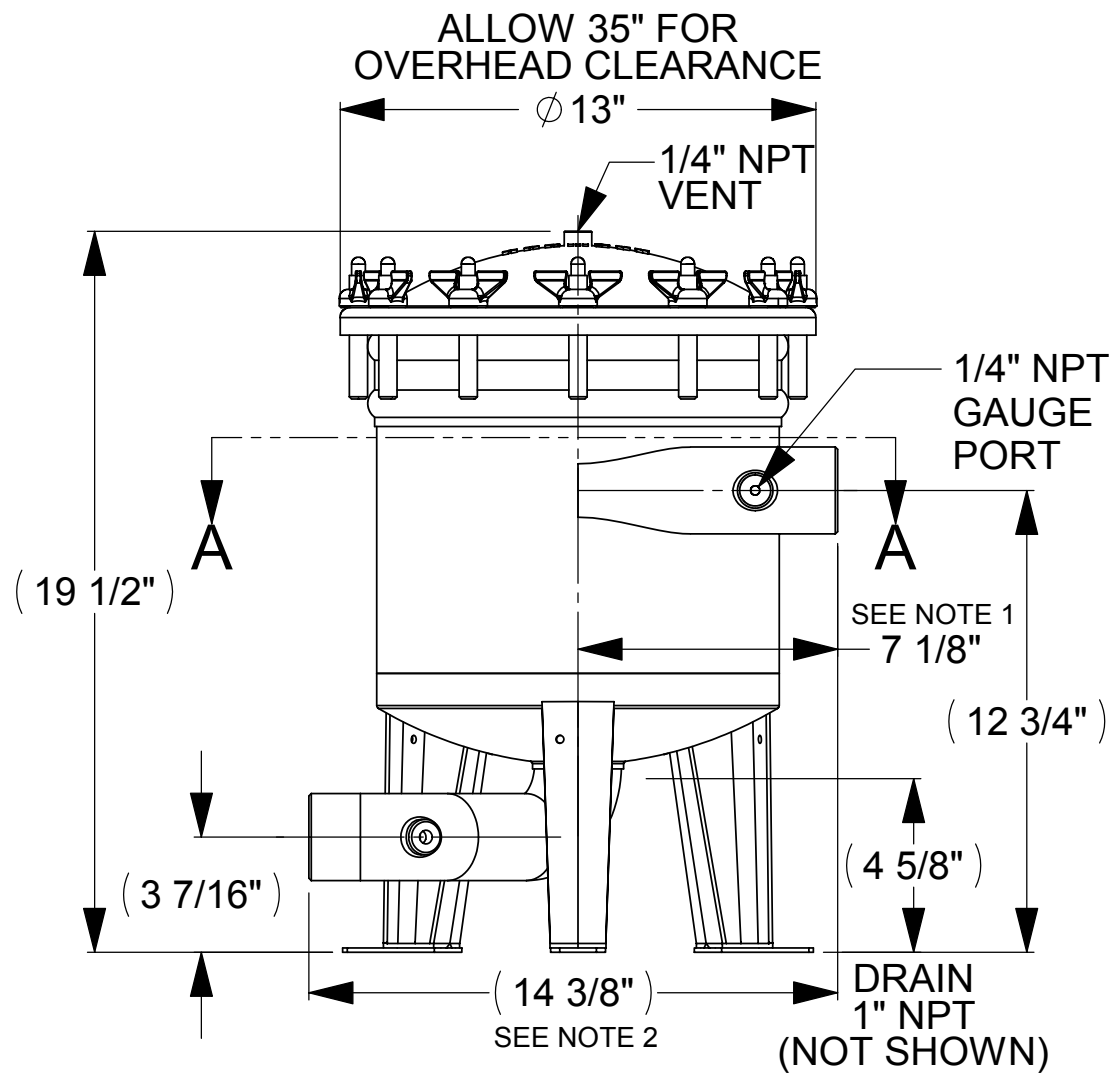


REV.	DESCRIPTION	DATE	APPROVED

THE INFORMATION CONTAINED IN THIS DRAWING IS THE SOLE PROPERTY OF HARMSCO INC. ANY REPRODUCTION IN PART OR WHOLE WITHOUT THEIR EXPRESS WRITTEN CONSENT IS PROHIBITED.



**SECTION A-A**  
**SCALE 1 : 5**

<b>HARMSCO INC.</b>		N. PALM BEACH, FL	
P.O. BOX 14066		PART NO. HUR 40 HP	
SCALE 1:5		PART NAME	
DRAWN ON CAD DO NOT SCALE		INSTALLATION DIAGRAM	
APPROVALS	DATE		
DRAWN CWM	5/3/00		
APPROVED RPT	5/3/100		
UNLESS OTHERWISE SPECIFIED DIMENSIONS ARE IN INCHES TOLERANCES ARE: FRACTIONS DECIMALS ANGLES +/- 1/8 +/- .010 +/- 30'			

- NOTES:**
2. ADD 1" TO THIS DIMENSION WHEN USING A THREADED FLANGE.
  1. ADD 1/2" TO THIS DIMENSION WHEN USING A THREADED FLANGE (150 PSI).